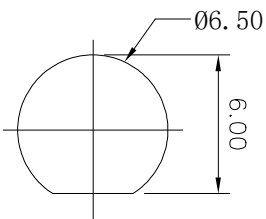
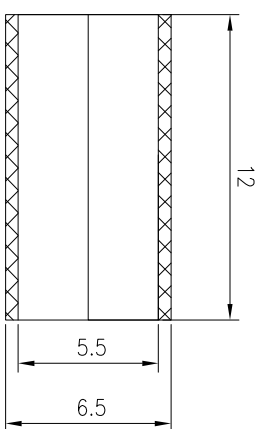
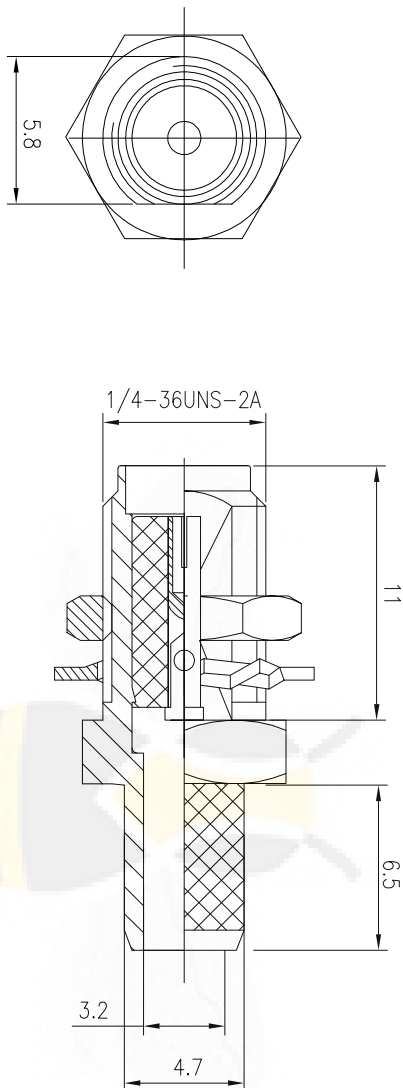




|             |             |             |            |
|-------------|-------------|-------------|------------|
| Product NO. |             | EB-007-0210 |            |
| ISSUE       | DESCRIPTION | DWN         | DATE       |
| RI.0        | First Issue | Gavin       | 2024/04/25 |
|             |             |             | APPROVEN   |
|             |             |             | JIM.KING   |



RECOMMENDED  
MOUNTING HOLE

Buy From Original Factory

Specifications:  
 IMPEDANCE: 50 Ohms  
 Frequency range: 0~6GHz  
 VSWR: 1.5MAX  
 Working voltage: 335V rms @ sea level  
 Insulation resistance: 5000 MOhms min  
 Temperature range: -55°C T0 +155°C

|    |                |          |        |     |
|----|----------------|----------|--------|-----|
| 6  | Copper Pipe    | Brass    | Nickel | 1   |
| 5  | Nut            | Brass    | Gold   | 1   |
| 4  | Washer         | Iron     | Gold   | 1   |
| 3  | Center contact | Brass    | Gold   | 1   |
| 2  | Insulator      | Ptfe     | Nature | 1   |
| 1  | Body           | Brass    | Gold   | 1   |
| NO | DESCRIPTION    | MATERIAL | FINISH | QTY |

-TOLERANCES-  
UNLESS OTHERWISE  
SPECIFIED



RENHOTEC GROUP

PART DESCRIPTION:

SMA JACK FOR RG58 LMR195 CABLE

UNLESS OTHERWISE SPECIFIED  
TOLERANCES FOR MILLIMETERS ARE:  
 0.5 - 8mm ± 0.20mm  
 8 - 30mm ± 0.25mm  
 30 - 120mm ± 0.30mm

|                |                  |            |       |      |      |      |
|----------------|------------------|------------|-------|------|------|------|
| Appr: JIM.KING | P/N: EB-007-0210 | Date       | Scale | Unit | Type | Page |
| Check:         |                  | 2024.04.25 | Free  | MM   | Z    | 1/1  |
| Draw: Gavin    |                  |            |       |      |      |      |