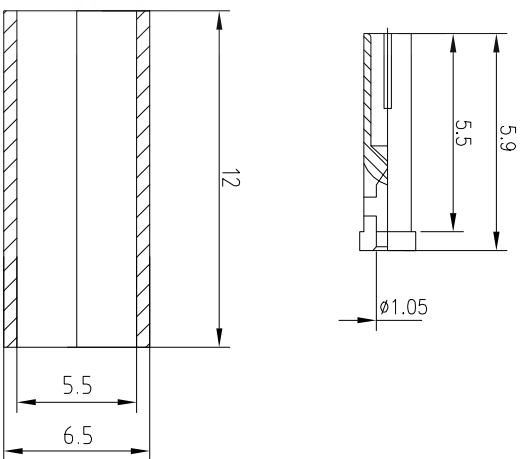
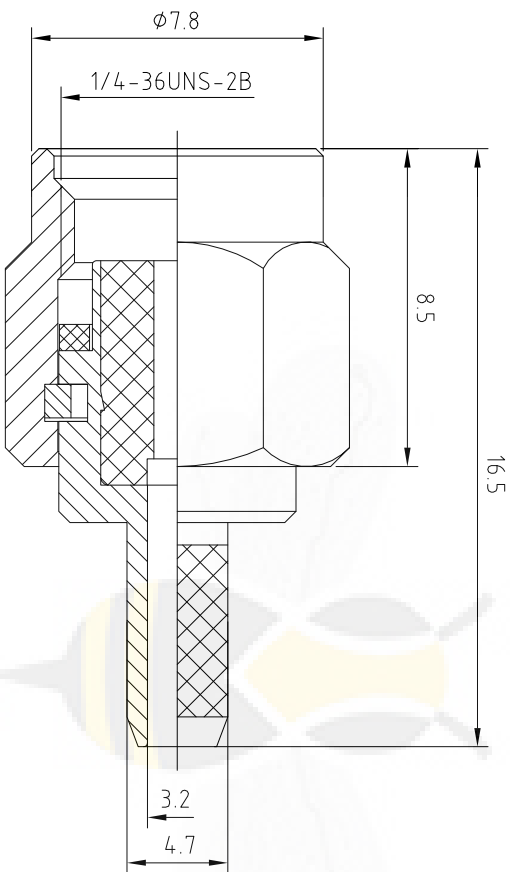




Product NO.		EB-007-0812-C	
ISSUE	DESCRIPTION	DWN	DATE
RI.0	First Issue	Gavin	2024/04/25
			APPROVEN
			JIM. KING



Buy From Original Factory

Specifications:
 IMPEDANCE: 50 Ohms
 Frequency range: 0~6GHz
 VSWR: 1.5MAX
 Working voltage: 335V rms @ sea level
 Insulation resistance: 5000 MOhms min
 Temperature range: -55°C T0 +155°C

4	Copper Pipe	Brass	Nickel	1
3	Center contact	Brass	Gold	1
2	Insulator	Ptfe	Nature	1
1	Body	Brass	Gold	1
NO	DESCRIPTION	MATERIAL	FINISH	QTY

-TOLERANCES-
 UNLESS OTHERWISE
 SPECIFIED



RENHOTEC GROUP

PART DESCRIPTION:
 RP SMA PLUG FOR RG58 LMR195 CABLE

UNLESS OTHERWISE SPECIFIED
 TOLERANCES FOR MILLIMETERS ARE:
 0.5 - 8mm ± 0.20mm
 8 - 30mm ± 0.25mm
 30 - 120mm ± 0.30mm

Appr: JIM. KING	P/N: EB-007-0812-C
Check:	Date
Draw: Gavin	2024.04.25
Scale	Unit
Free	MM
Type	Page
Z	1/1